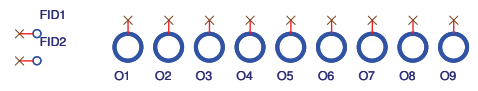
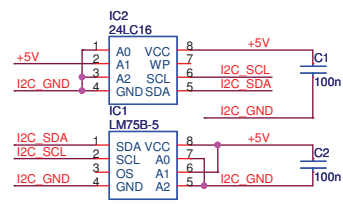
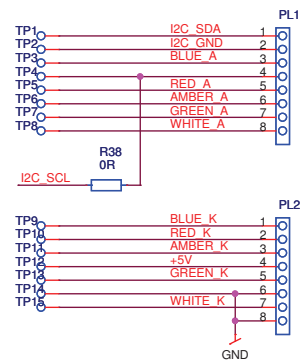
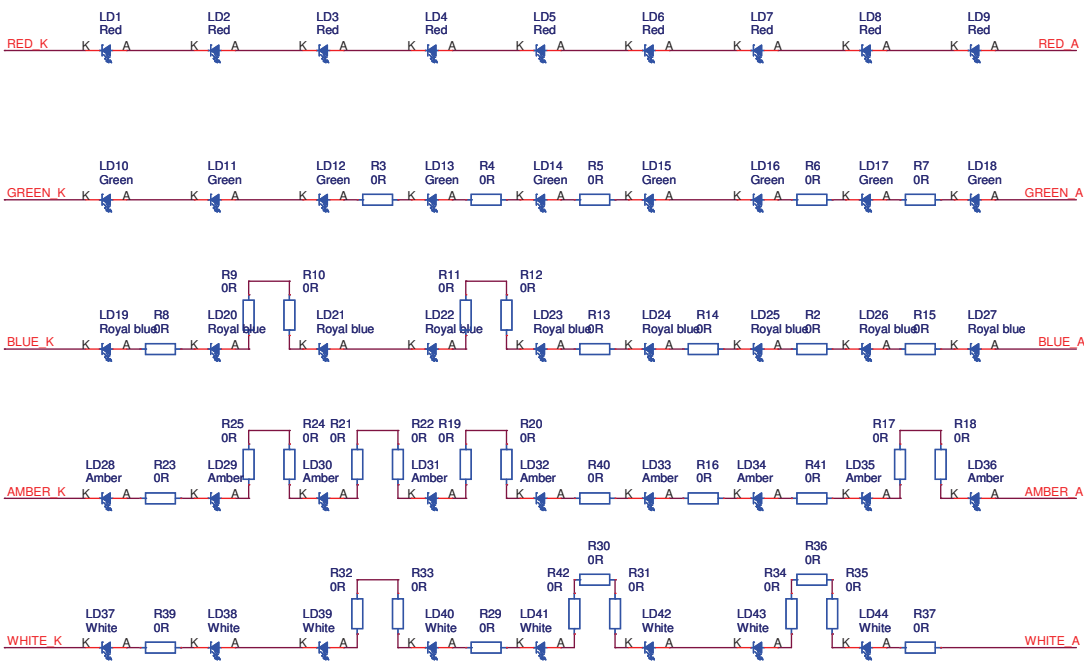
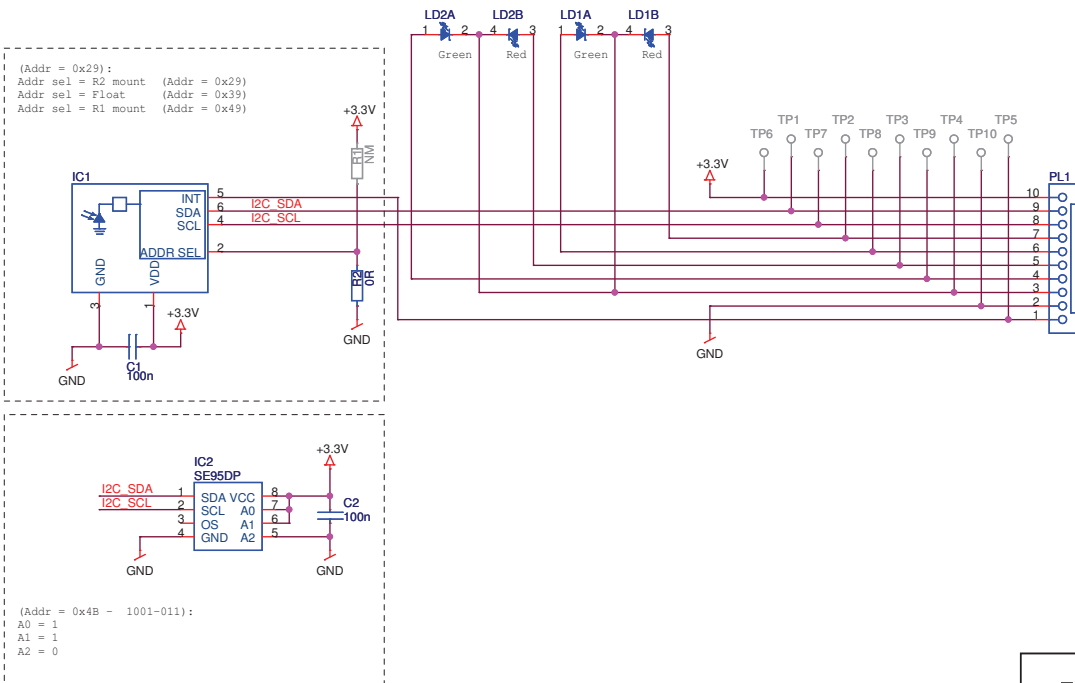


Martin	Project Title	SSL - Controllerboard BH		Drawn By	BH
	Size	A4		PCB Title	Main
	Date	Wednesday, October 03, 2007		Product Baan Number	01001546
Sheet 1 of 1				Rev	E



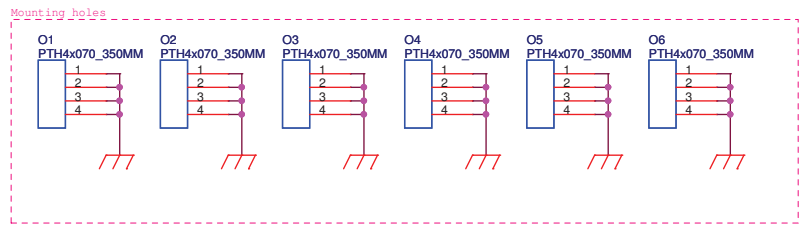
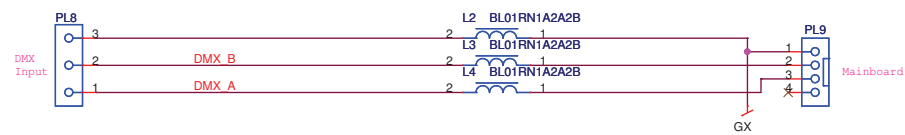
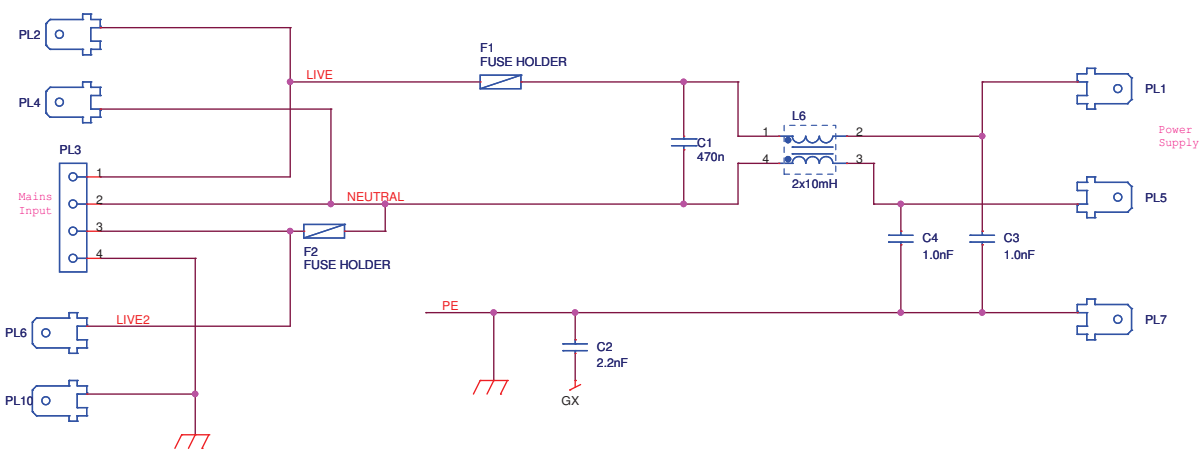
	Project Title		Drawn By	
	SSL - Calypso		AP	
	Size	PCB Title		Rev
	A4	LED-cluster		B
Date:		Product Baan Number		
Wednesday, June 13, 2007		01006025		
Sheet 1 of 1				



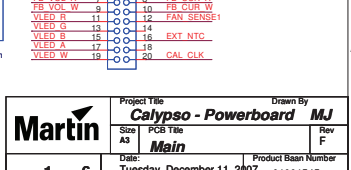
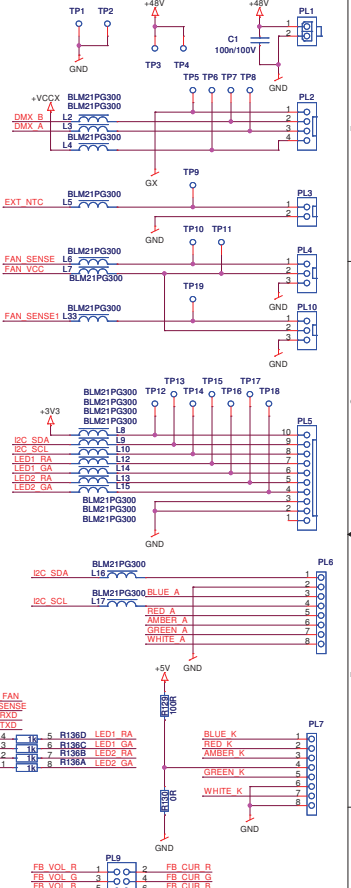
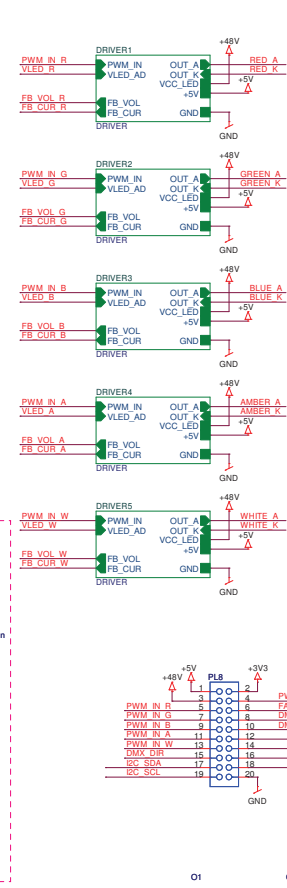
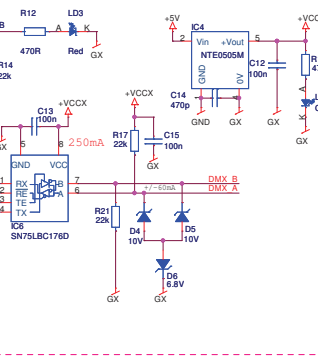
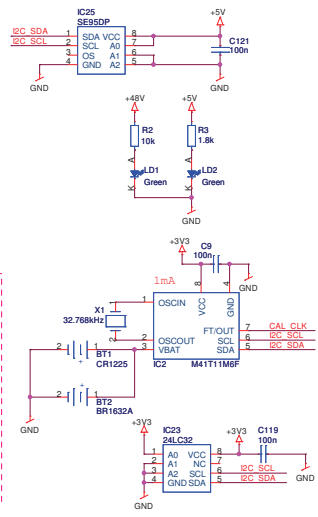
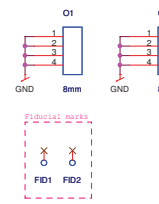
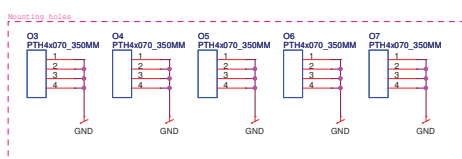
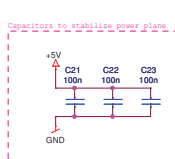
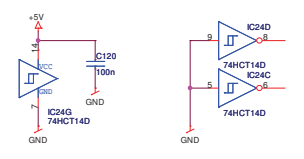
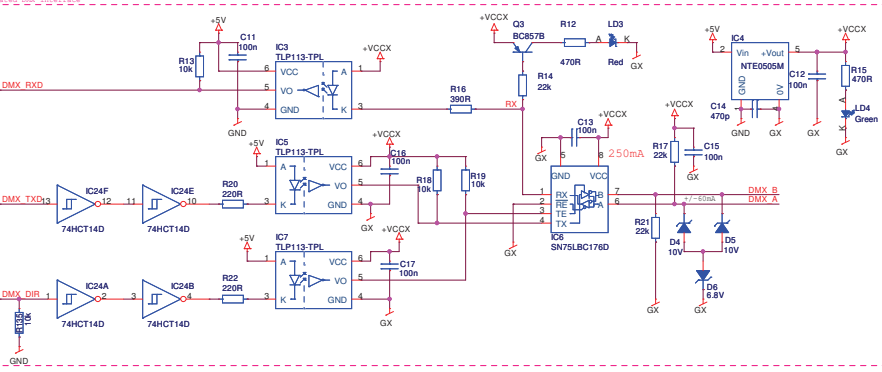
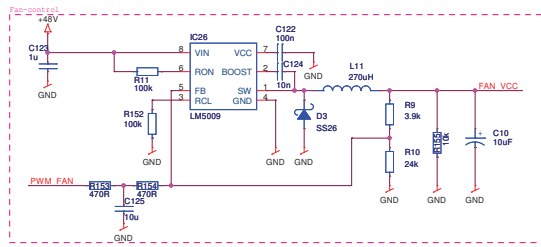
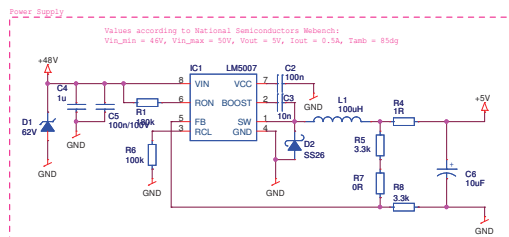
(Addr = 0x29):
 Addr sel = R2 mount (Addr = 0x29)
 Addr sel = Float (Addr = 0x39)
 Addr sel = R1 mount (Addr = 0x49)

(Addr = 0x4B - 1001-011):
 A0 = 1
 A1 = 1
 A2 = 0

		MARTIN PROFESSIONAL AS Otov Palmes Allé 18 DK-8200 Aarhus N DENMARK		
		Project Title CALYPSO		
PCB Title Led & Lightsensor				
Size A4	Rev D	DATE OF THIS ISSUE: 20071008	INITIAL RELEASE: 20070618	Baan Number 62090183
PREP: RD_HS		CHKD: RD_MH	Sheet 1 of 1	



Martin	Project Title		Drawn By
	Calypso - Mainsfilter		BH
	Size	PCB Title	Rev
A4	Mainsfilter	F	
Date:	Product Baan Number		
Tuesday, November 27, 2007	01003510		
Sheet 1 of 1			

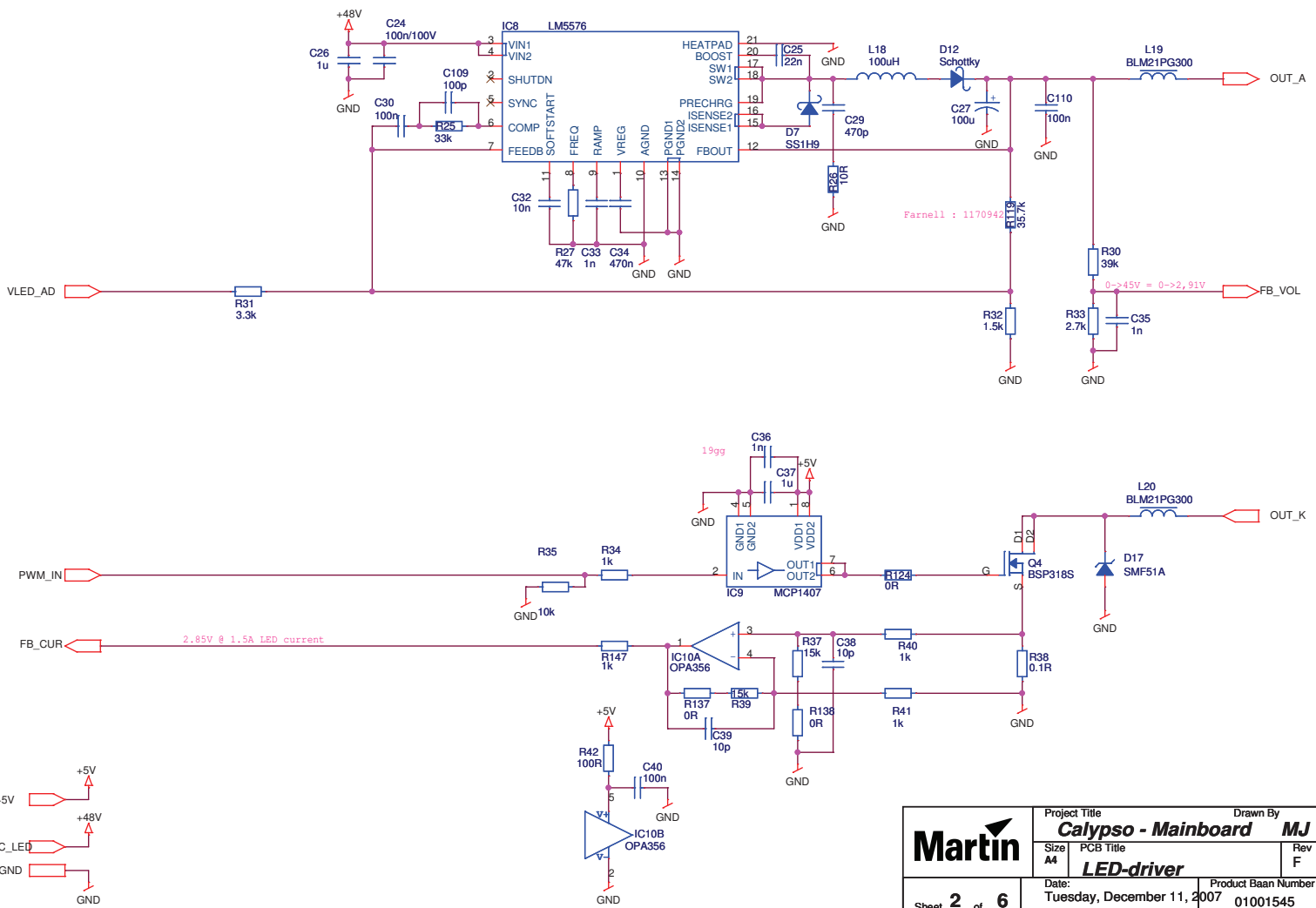


Martin Project Title: **Calypso - Powerboard MJ** Drawn By: **MJ**

Size: **AS** PCB Title: **Main** Rev: **F**

Date: **Tuesday, December 11, 2017** Product Bsn Number: **01001545**

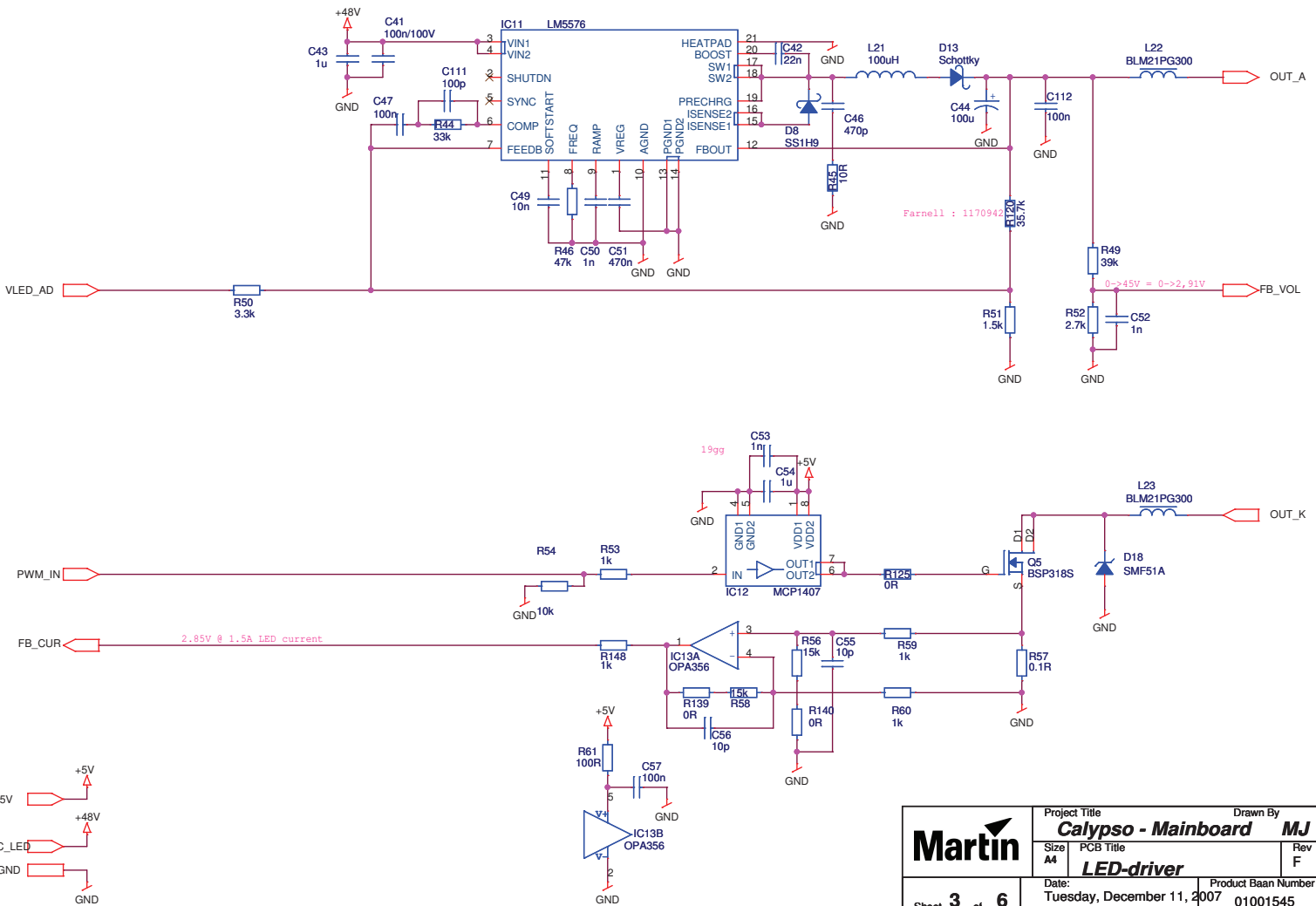
Sheet **1** of **6**



Martin

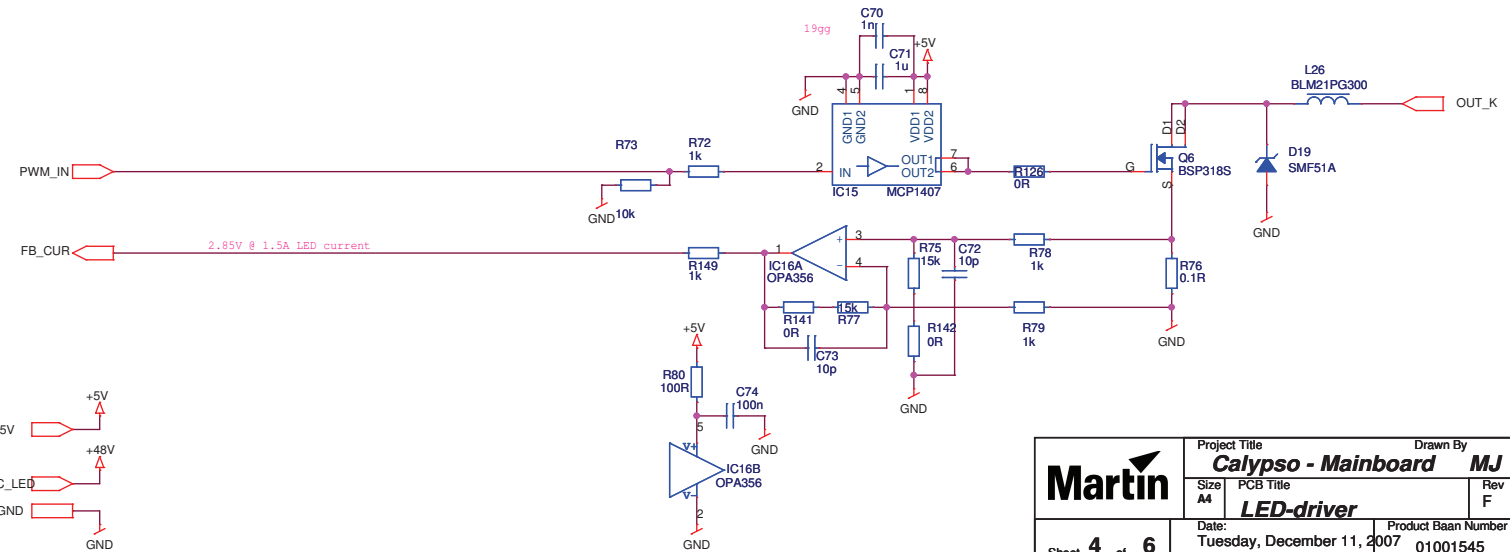
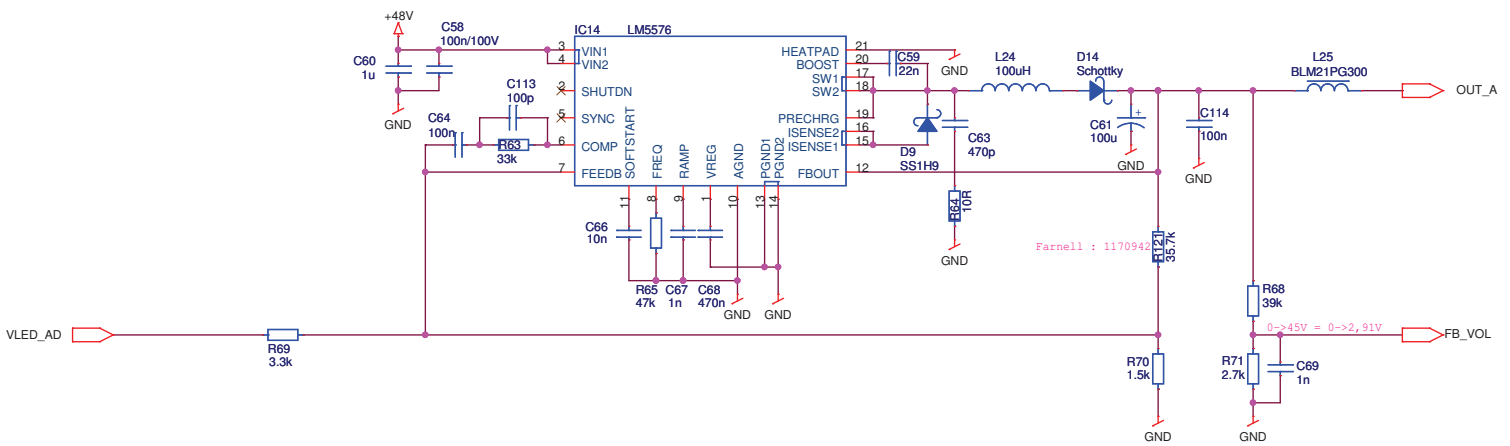
Project Title		Drawn By	
Calypso - Mainboard		MJ	
Size	PCB Title	Rev	
A4	LED-driver	F	
Date:	Product Baan Number		
Tuesday, December 11, 2007	01001545		

Sheet 2 of 6

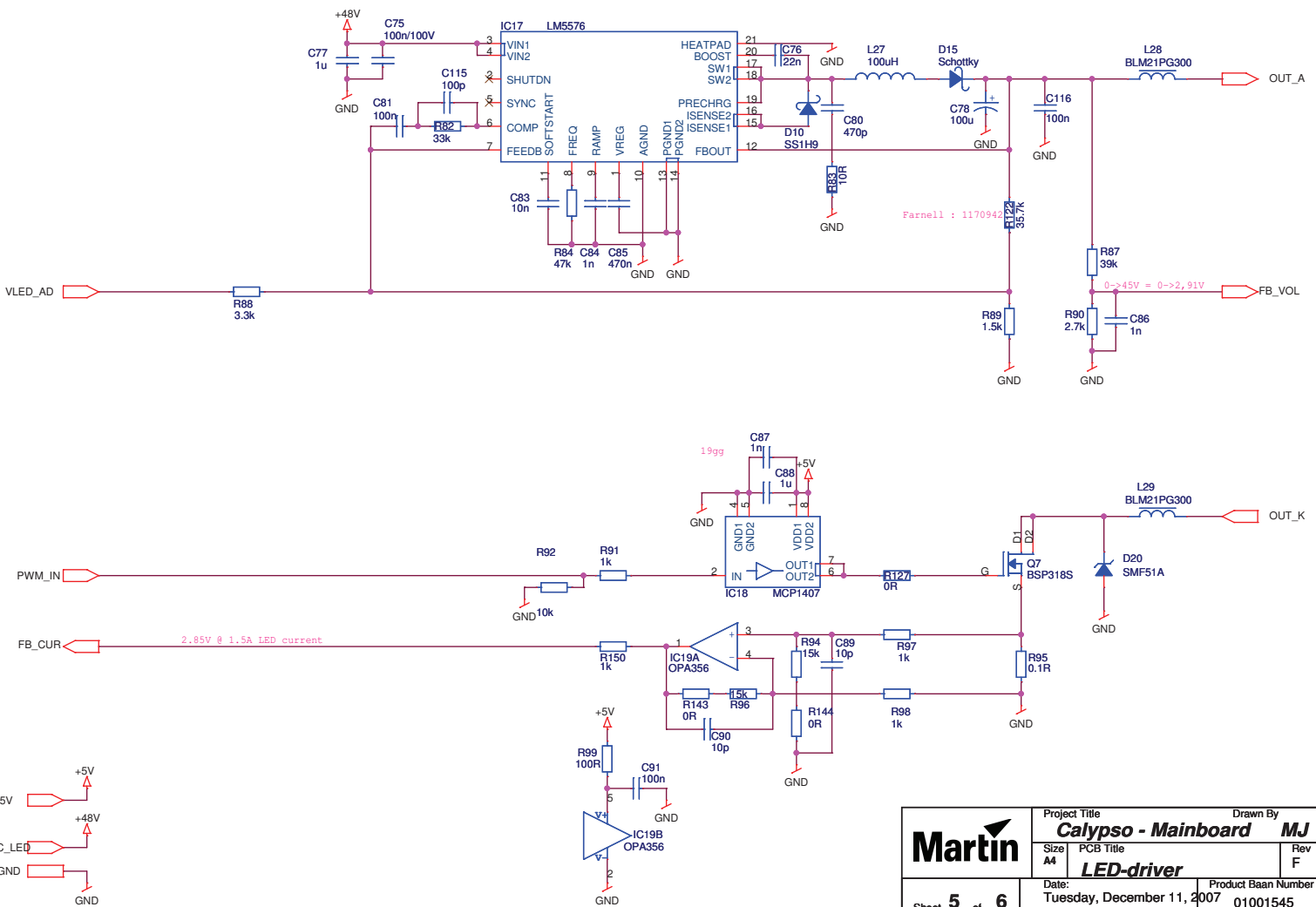


Martin

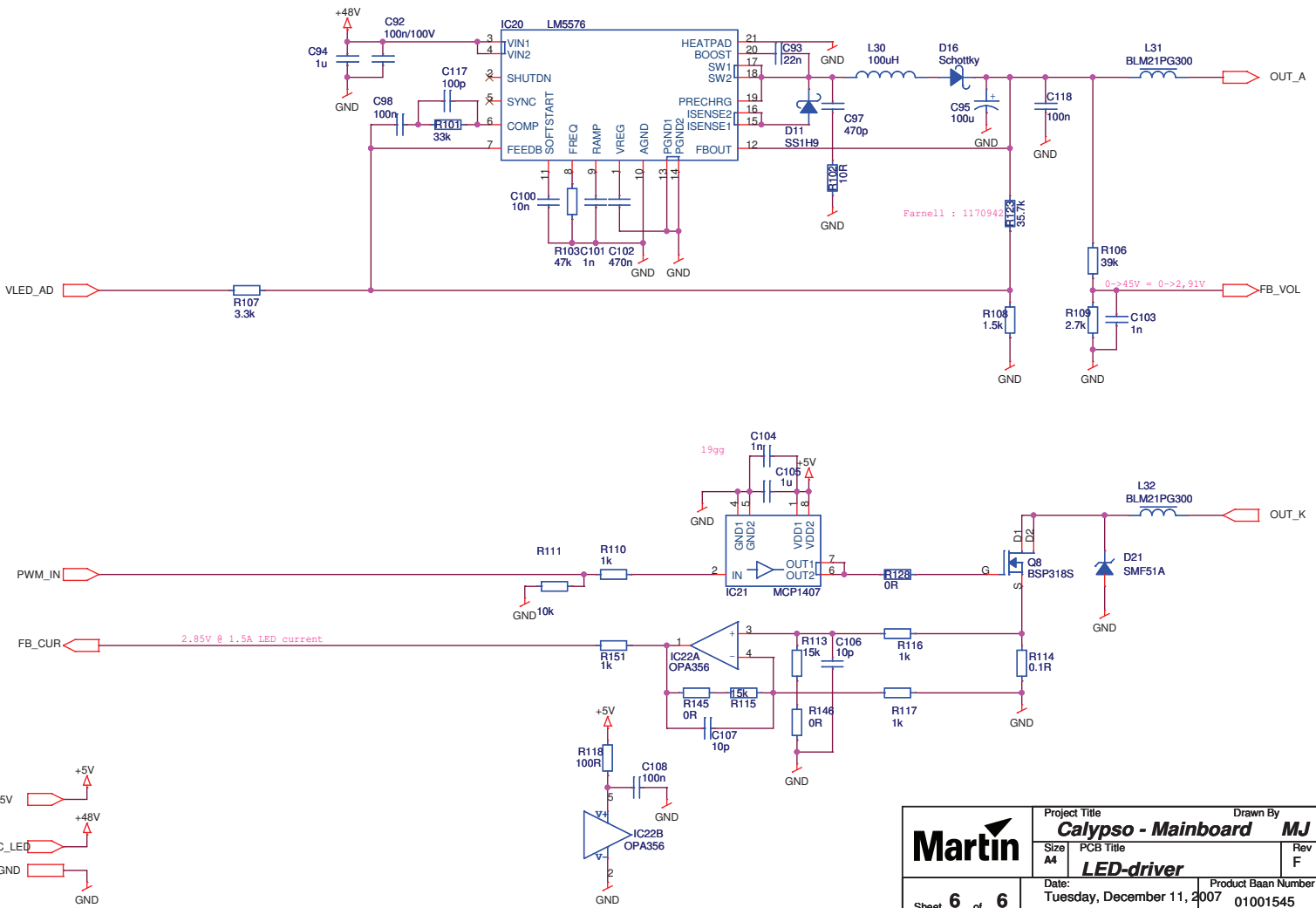
Project Title		Drawn By	
Calypso - Mainboard		MJ	
Size	PCB Title	Rev	
A4	LED-driver	F	
Date:	Product Baan Number		
Tuesday, December 11, 2007	01001545		



	Project Title		Drawn By
	Calypso - Mainboard		MJ
	Size A4	PCB Title LED-driver	Rev F
Date: Tuesday, December 11, 2007		Product Baan Number 01001545	
Sheet 4 of 6			



	Project Title		Drawn By
	Calypso - Mainboard		MJ
	Size A4	PCB Title	
LED-driver		Rev F	
Date: Tuesday, December 11, 2007		Product Baan Number 01001545	
Sheet 5 of 6			



	Project Title		Drawn By
	Calypso - Mainboard		MJ
	Size A4	PCB Title LED-driver	
Date: Tuesday, December 11, 2007		Product Baan Number 01001545	
Sheet 6 of 6			